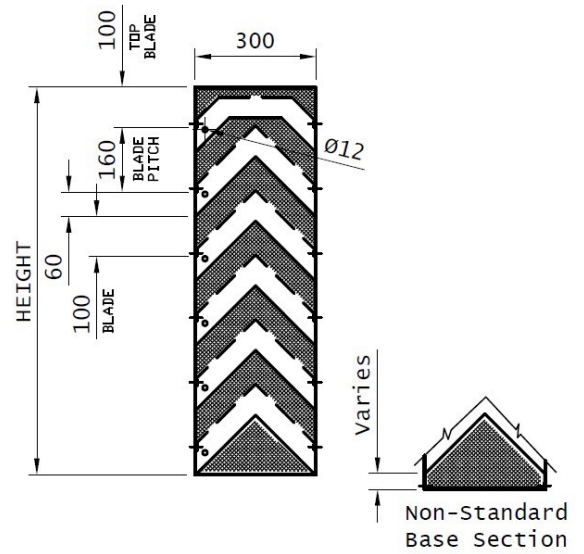


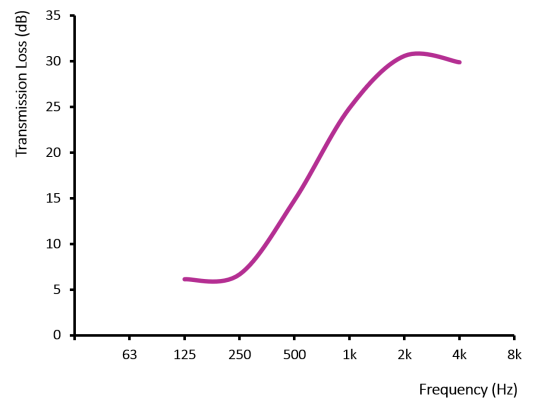


**Weight** 53kg/m<sup>2</sup>      **Module Width** 300 - 1800mm  
**Standard Module Height** 420mm minimum,  
 (increasing increments of 160mm)  
 Intermediate heights are available



**Acoustic Performance**

<b>Octave Band Centre Frequency (Hz)</b>	125	250	500	1k	2k	4k
<b>Transmission Loss (dB)</b>	6	7	15	25	31	30
<b>Acoustic Rating</b>	<b>R<sub>w</sub>19dB</b>					



**Aerodynamic Performance**

<b>Static Pressure Drop (N/m<sup>2</sup>)</b>	10	20	30	40	50	60	70	80	90	100
<b>Face Velocity (m/s)</b>	0.55	0.78	0.95	1.10	1.23	1.34	1.45	1.55	1.64	1.73
<b>Nominal Free Area</b>	36%*      * Average over louvre depth									
<b>Discharge Coefficient</b>	<b>0.134</b>									

